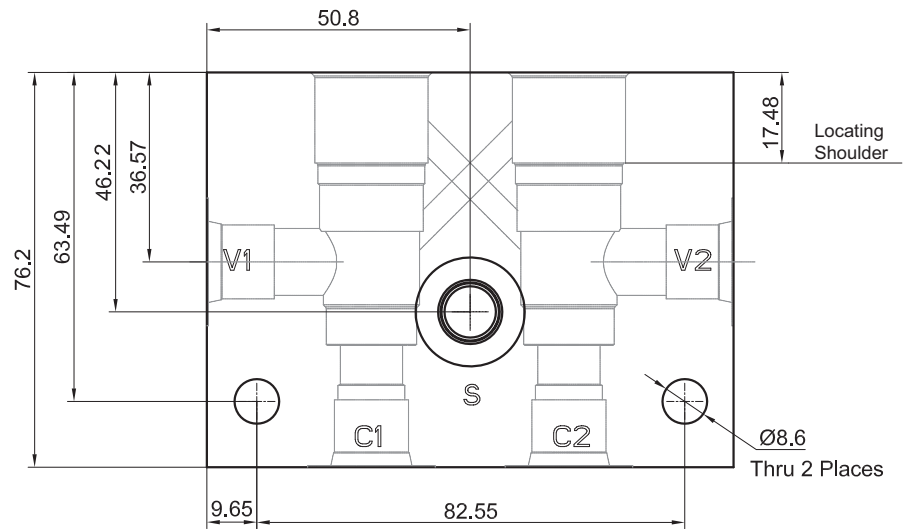
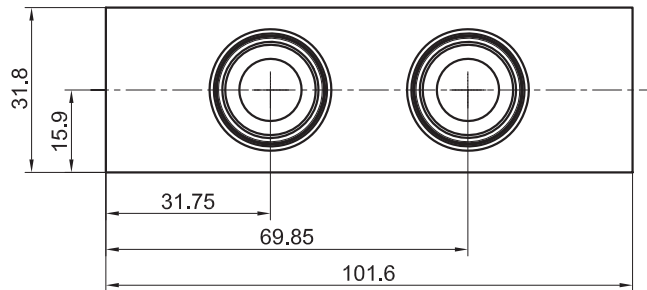
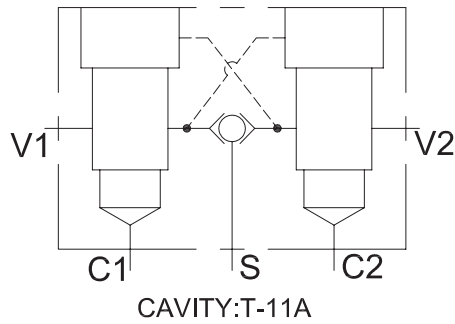


FUNCTION:



Unit=Millimeters

Part No.	Ports V1,V2,C1,C2	Port S
LYGA	1/4" NPTF	1/4" NPTF
LYGB	3/8" NPTF	
LYGC	1/2" NPTF	
LYGI	SAE 6	SAE4
LYGJ	SAE 8	
LYGK	SAE 10	
LYGT	G 1/4	G 1/4
LYGU	G 3/8	
LYGV	G 1/2	
Note:This type of housings already include shuttle Valve		

Material	Operating Pressure	Part No.
Aluminum,6061-T6	210 bar (3000 psi)	LYG*
Steel	350 bar (5000 psi)	LYG*-S

K