

LHP-10 / LHP2-10 / LHP3-10

Hand Pump

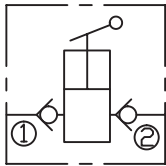
DESCRIPTION

Hand Pump

OPERATION

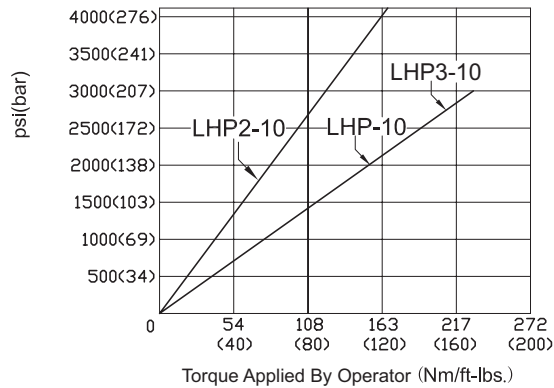
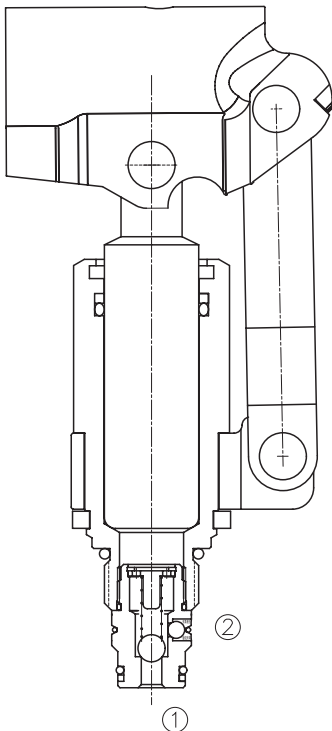
When the operator is pushed, the valve delivers a nominal flow of 8.8cc to the ② port.
 When the operator is pulled, the valve suctions fluid from the ① port.

SYMBOL



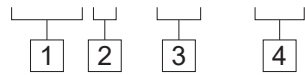
SPECIFICATIONS

Operating Pressure	207bar; (LHP2-10 , 280 bar)
Displacement	LHP-10: 8.8 cc per stroke LHP2-10: 4.0 cc per stroke LHP3-10: 6.0 cc per stroke
Internal Leakage	2 drops/min max. at 138 bar
Temperature	-40°F to +250°F(-40°C to +120°C)
Filtration	See page N-1
Fluids	Mineral-based fluids with viscosities of 7.4 to 420 cSt.
Cavity	10-2, See page M-2
Housing Material	6061-T6 aluminum alloy rated to 207bar, Steel & Ductile iron rated to 350bar



TO ORDER

LHP * - 10 - * *



1 Function

LHP=Hand Pump

3 Size

10=10-2 Size

4 Port Size

Omit=None

6T=SAE6

8T=SAE8

3G=G 3/8

4G=G 1/2

2 Displacement

2=4.0cc per stroke

3=6.0cc per stroke

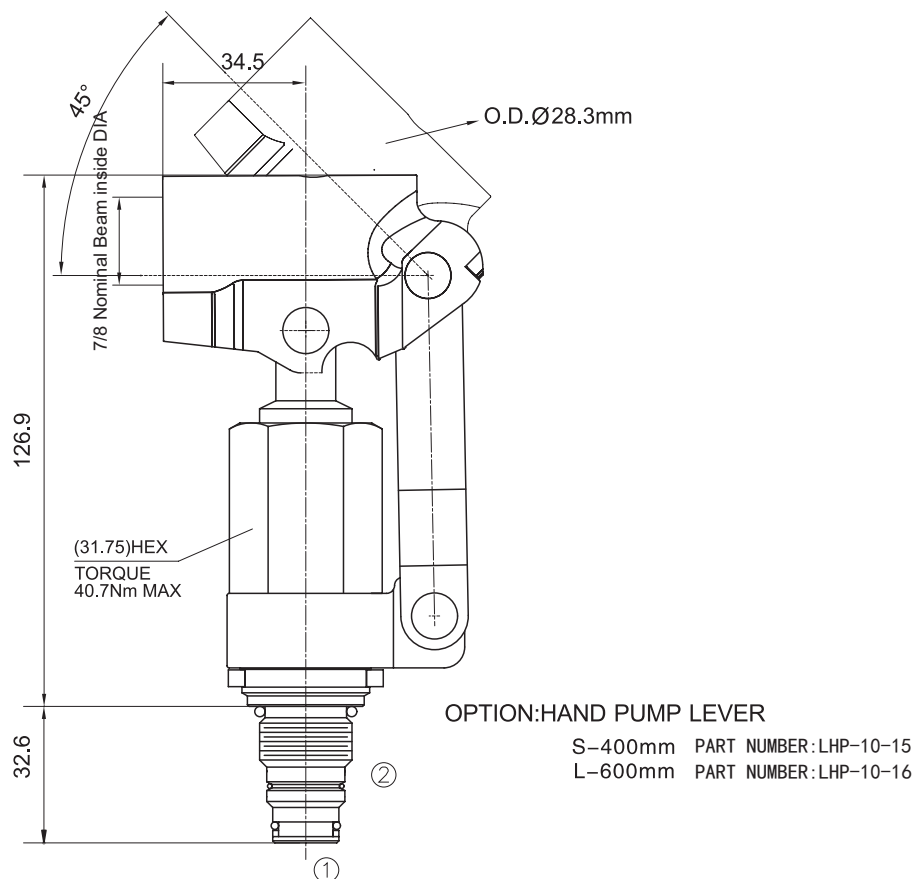
(Omit= 8.8 cc per stroke)

※ See page K-4 for detail of housing

※ Other port sizes are available

INSTALLATION DIMENSIONS

Unit=Millimeters



J