

LD1B125

In-line Check Valve

DESCRIPTION

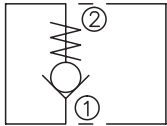
An in-line, poppet-type check valve.

OPERATION

When pressure at ① rises above the spring bias pressure, the poppet is lifted and flow allowed from ① to ②.

The valve is closed (checked) from ② to ①.

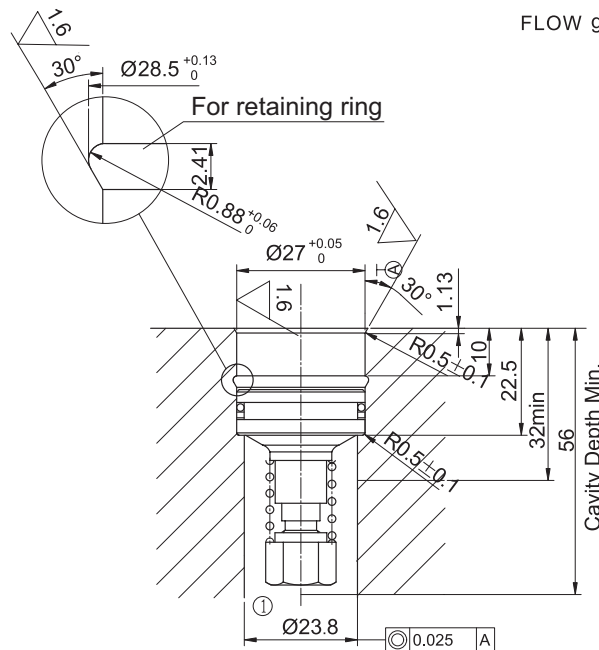
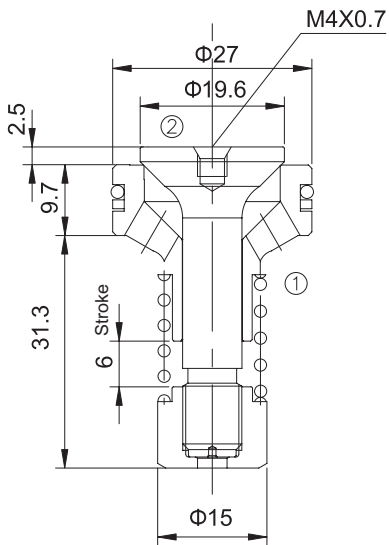
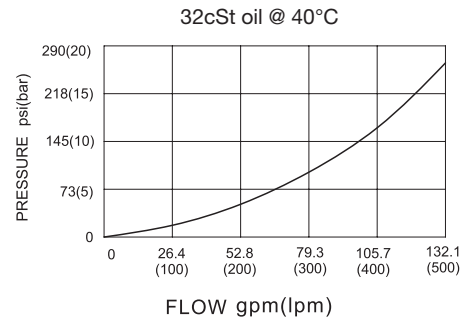
SYMBOL



SPECIFICATIONS

Max. Operating Pressure	420bar
Flow	See PRESSURE DROP VS.FLOW graph.
Internal Leakage	2 drops/min max. at 420bar
Cracking Pressure	3.0bar
Temperature	-40°F to +250°F(-40°C to +120°C)
Fluids	Mineral-based fluids with viscosities of 7.4 to 420 cSt.
Housing Material	Steel & Ductile iron rated to 350bar

PRESSURE DROP VS.FLOW



CAVITY