

LSV5-08-2 NCS

2-Way,2-Position,Normally closed,
Spool-type Solenoid Valve

DESCRIPTION

A solenoid operated, 2-way, 2-position, normally closed, spool-type cartridge valve.

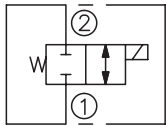
OPERATION

When de-energized, the valve blocks flow in both directions. When energized, the cartridge's spool shifts to allow flow in both directions.

Operation of Manual Override Option

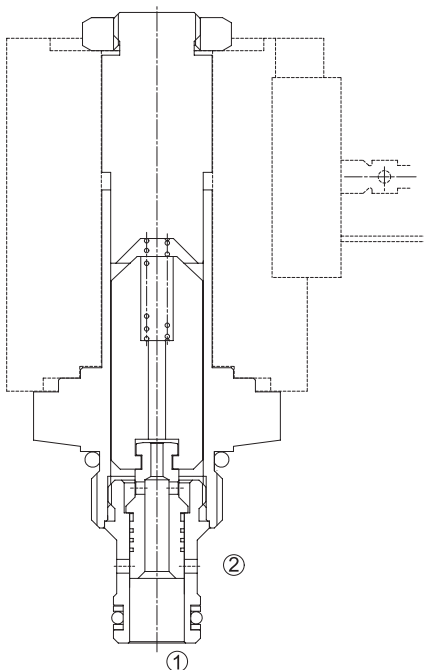
To override, push button in, twist counterclockwise 180° and release. In this position, the valve will remain open in a detented condition. To return to normal operation, push button in, twist clockwise 180° and release. Override will be detented in this position.

SYMBOL

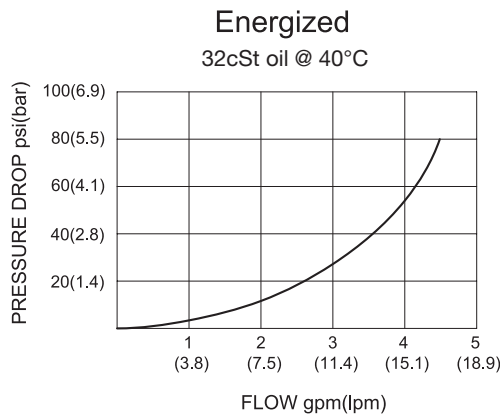


SPECIFICATIONS

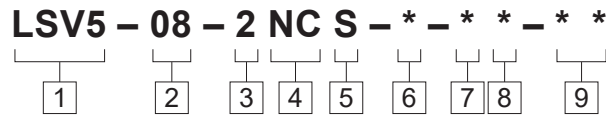
Operating Pressure	315bar
Flow	See PRESSURE DROP VS.FLOW graph.
Internal Leakage	82 cc/min max. at 280bar
Temperature	-40°F to +212°F(-40°C to +100°C)
Coil Duty Rating	Continuous from 85% to 115% of nominal voltage
Filtration	See page N-1
Fluids	Mineral-based fluids with viscosities of 7.4 to 420 cSt.
Cavity	08-2,See page M-1
Housing Material	6061-T6 aluminum alloy rated to 207bar, Steel & Ductile iron rated to 350bar



PRESSURE DROP VS.FLOW



TO ORDER



- 1 Function**
LSV5=Solenoid Valve

- 2 Size**
08=08 Size

- 3 Flow Path**
2=2-Way

- 4 Style**
NC=Normally Closed

- 5 Type**
S=Spool

- 6 Manual Override Options**
Omit=None
M=Manual Override

- 7 Coil Voltage**
1=12 VDC
2=24 VDC
3=110 VAC
4=220 VAC
5=10 VDC

- 8 Coil Connector Type**
D= Double Lead
H= Hirschmann
C= Conduit
ER= Deutsch Connector(Water-proof Coil)
B= Double Spade

- 9 Port Size**
Omit=None
4T=SAE 4
6T=SAE 6
2G=G 1/4
3G=G 3/8

- ※ See page K-1 for detail of housing
- ※ Other port sizes are available

INSTALLATION DIMENSIONS

Coil Must Be Installed With Letter Up

Unit=Millimeters

