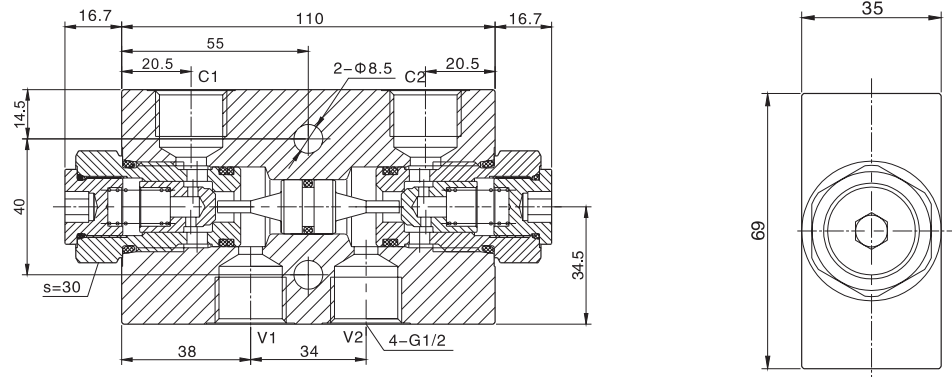


D-POC6-LMB-6G-10-4G-*

Dual Pilot-operated Check Valve

DESCRIPTION

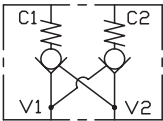
Dual pilot-operated check valve
inline mounted



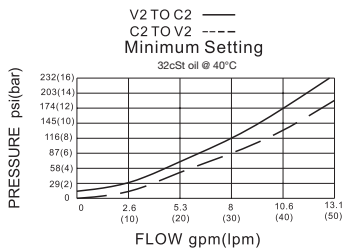
OPERATION

The valve will block from “C1” to “V1” and from “C2” to “V2”. Flow is allowed in the opposite direction when pressure is applied to port “V1” or “V2”. The valve has a 3.2:1 pilot ratio, so at least 1/3.2 of the load pressure at port “C1” or “C2” is required at the pilot lines (ports “V1” or “V2”) to open the flow passage to allow flow from ports “C1” or “C2”.

SYMBOL



PRESSURE DROP VS.FLOW



SPECIFICATIONS

Max.Operating Pressure	350bar
Flow	See PRESSURE DROP VS.FLOEW graph.
Pilot Ratio	3.2:1
Internal Leakage	2 drops/min max. at 350 bar
Cracking Pressure	8=8bar; 1.5=1.5bar
Temperature	-40°F to +250°F(-40°C to +120°C)
Filtration	See page N-1
Fluids	Mineral-based fluids with viscosities of 7.4 to 420 cSt.
Housing Material	Steel & Ductile iron rated to 350bar

TO ORDER

D – POC6 – LMB – 6G – 10 – 4G – *

1

2

3

4

5

6

1 Function
D-POC6=Dual Pilot-operated Check Valve Inline Body

4 Sealing Method of Pilot Piston
00=No O-Ring
10=With O-Ring

6 Cracking Pressure
8=8bar 1.5=1.5bar

2 ConnectionType

5 Port Size
4G=G 1/2

※Other port sizes are available

3 Size