

# LSV-08-2 NOSP-L

2-Way,2-Position,Bi-directional  
Normally open,Poppet-type  
Solenoid Valve

## DESCRIPTION

A solenoid operated, 2-way, 2-position, normally open, poppet-type bi-directional cartridge valve.

## OPERATION

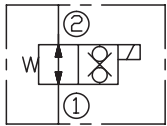
When de-energized, the poppet allows flow in both directions. When energized, the valve blocks flow in both directions.

## Operation of Manual Override Option

M: To override, push button in to activate. To return to normal valve function, release button.

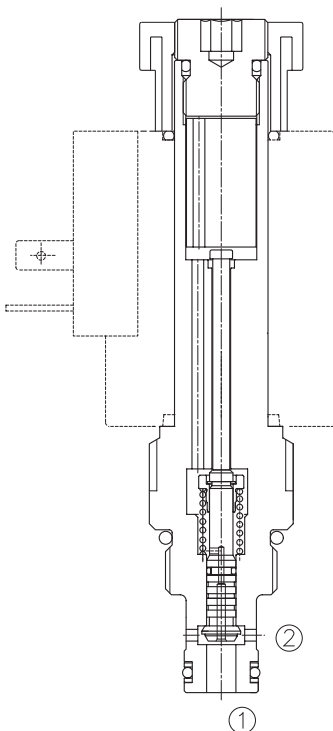
MK: Twist clockwise to the end(about 2 turns), manual override is detented in this position, blocking flow between ② and ① . To return to normal operation, twist counterclockwise 2 turns.

## SYMBOL

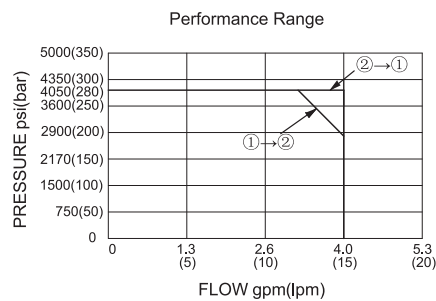
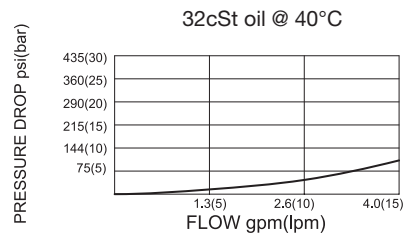


## SPECIFICATIONS

Max.Operating Pressure	280bar
Flow	See PRESSURE DROP VS.FLOW graph.
Internal Leakage	<1 drops/min.Our ideal leakage: <0.05 drops/min
Temperature	-40°F to +212°F(-40°C to +100°C)
Coil Duty Rating	Continuous from 85% to 115% of nominal voltage
Filtration	See page N-1
Fluids	Mineral-based fluids with viscosities of 7.4 to 420 cSt.
Cavity	08-2,See page M-1
Housing Material	6061-T6 aluminum alloy rated to 207bar, Steel & Ductile iron rated to 350bar

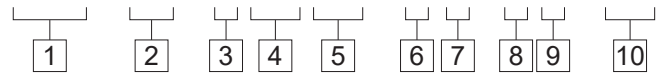


## PRESSURE DROP VS.FLOW



**TO ORDER**

**LSV – 08 – 2 NO SP – L \* – \* \* – \* \***



- 1 Function**  
LSV=Solenoid Valve

---

- 2 Size**  
08=08 Size

---

- 3 Flow Path**  
2=2-Way

---

- 4 Style**  
NO=Normally Open

---

- 5 Type**  
SP=Poppet

---

- 6 Internal Leakage**  
L=Zero Leakage

---

- 7 Manual Override Options**  
Omit=None  
M=Regular Manual Override  
MK=Twist & Detent Manual Override

- 8 Coil Voltage**  
1=12 VDC  
2=24 VDC  
3=110 VAC  
4=220 VAC  
7=48 VDC  
8=24 VAC  
9=72 VDC

---

- 9 Coil Connector Type**  
D= Double Lead  
S= Single Lead  
H= Hirschmann  
ER= Deutsch Connector(Water-proof Coil)  
B= Double Spade

- 10 Port Size**  
Omit=None  
4T=SAE 4  
6T=SAE 6  
2G=G 1/4  
3G=G 3/8

※ See page K-1 for detail of housing  
 ※ Other port sizes are available

**INSTALLATION DIMENSIONS**

Coil Must Be Installed With Letter Up

Unit=Millimeters

