

Mobile Hydraulics

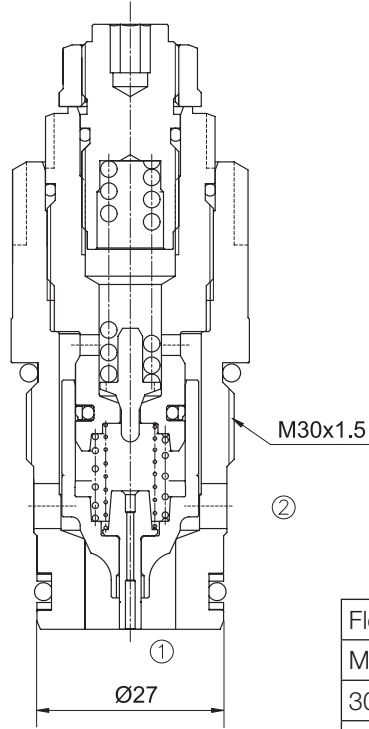


LPOSRV2-M30

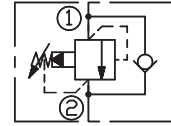
(Cracking Pressure:2 bar)

DESCRIPTION

A pilot-operated pressure limitation and feed valve.



SYMBOL



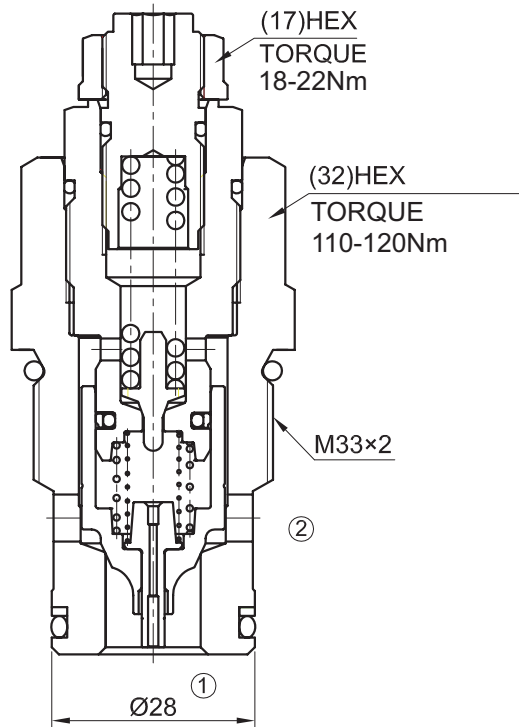
| | |
|------------------|----------------------------|
| Flow: | 200L/min |
| Max. Pressure: | 42Mpa |
| 30mm HEX Torque: | 90-100Nm |
| Cavity: | Rexroth-LG, see page(M-15) |

LPOSRV-M33

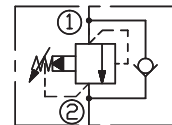
(Cracking Pressure:2 bar)

DESCRIPTION

A pilot-operated pressure limitation and feed valve.



SYMBOL



| | |
|------------------|-----------------|
| Flow: | 200L/min |
| Max. Pressure: | 42Mpa |
| 32mm HEX Torque: | 110-120Nm |
| Cavity: | Consult Factory |