

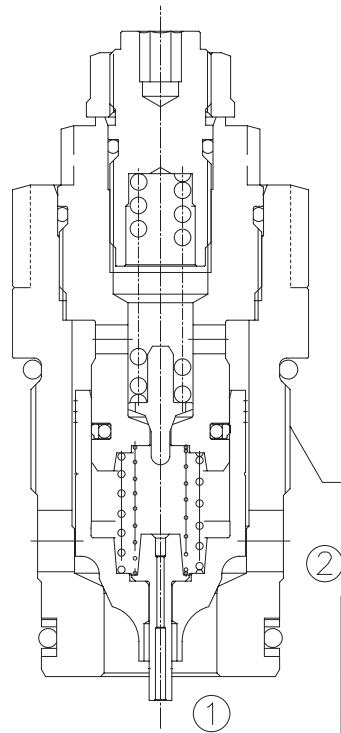
Mobile Hydraulics

LPOSRV2-M36

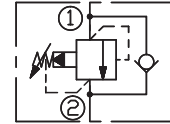
(Cracking Pressure:2 bar)

DESCRIPTION

A pilot-operated pressure limitation and feed valve.



SYMBOL

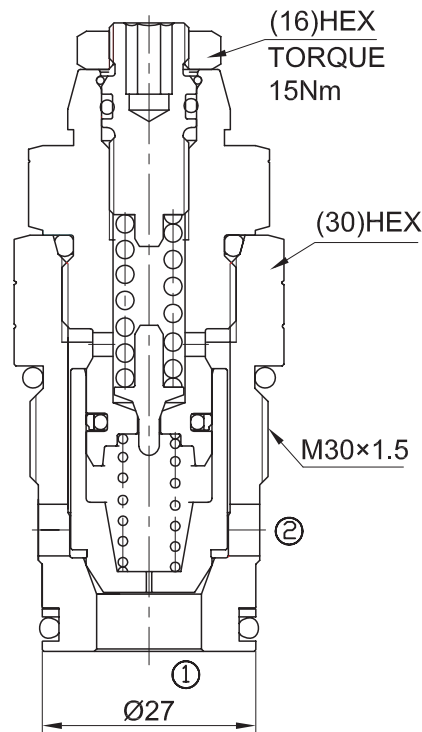


Flow:	300L/min
Max. Pressure:	42Mpa
36mm HEX Torque:	145-155Nm
Cavity:	Rexroth-LM,see page(M-16)

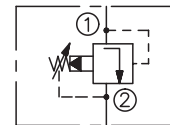
MHDBV22K2-3X420VLG

DESCRIPTION

A pilot-operated pressure relief valve.



SYMBOL



Flow:	200L/min
Max. Pressure:	42Mpa
32mm HEX Torque:	90-100Nm
Cavity:	Rexroth-LG,see page(M-15)