

# LSV2-08-4MC/3F

4-Way,2-Position,  
Spool-type Solenoid Valve

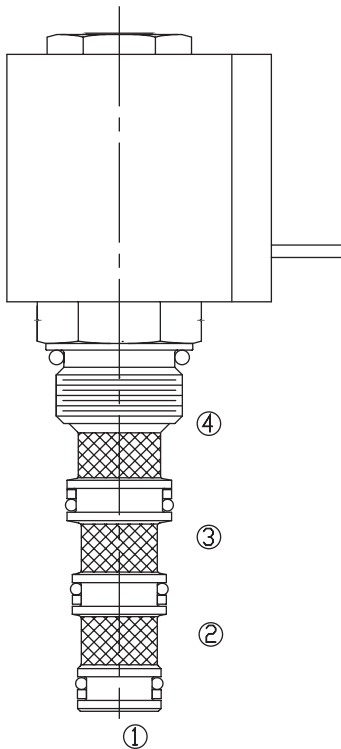
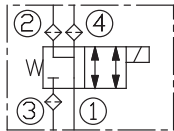
## DESCRIPTION

A solenoid operated, 4-way, 2-position, spool-type cartridge valve

## OPERATION

When de-energized, the valve allows flow from ② to ① and from ④ to ① while blocking ③. When energized, the cartridge's spool shifts to allow flow from ③ to ② or from ② to ③ and from ④ to ① or from ① to ④.

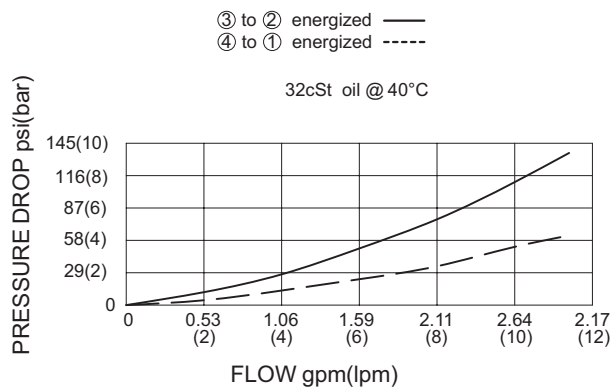
## SYMBOL



## SPECIFICATIONS

Operating Pressure	207bar
Flow	See PRESSURE DROP VS.FLOW graph.
Internal Leakage	82 cc/min max. at 207bar
Temperature	-40°F to +212°F(-40°C to +100°C)
Coil Duty Rating	Continuous from 85% to 115% of nominal voltage
Filtration	See Page N-1
Fluids	Mineral-based fluids with viscosities of 7.4 to 420 cSt.
Cavity	08-4,See page M-1
Housing Material	6061-T6 aluminum alloy rated to 207Bar, Steel & Ductile iron rated to 350Bar

## PRESSURE DROP VS.FLOW



**TO ORDER**

**LSV2 - 08 - 4 MC/ \*\* - \*- \* \* - \* \***

1
2
3
4
5
6
7
8
9

- 1 Function**  
LSV2=Solenoid Valve

---

- 2 Size**  
08=08 Size

---

- 3 Flow Path**  
4=4-Way

---

- 4 Style**  
MC=Motor Center

---

- 5 Filtration**  
Omit=None  
3F =Ports ②、③、④ With Screen

- 6 Manual Override Options**  
Omit=None

---

- 7 Coil Voltage**  
1=12 VDC  
2=24 VDC  
3=110 VAC  
4=220 VAC  
5=10 VDC

---

- 8 Coil Connector Type**  
D= Double Lead  
H= Hirschmann  
C= Conduit  
ER= Deutsch Connector(Water-proof Coil)  
B= Double Spade

- 9 Port Size**  
Omit=None  
6T=SAE 6  
2G=G 1/4  
3G=G 3/8

---

- ※ See page K-3 for detail of housing
- ※ Other port sizes are available

**INSTALLATION DIMENSIONS**

Coil Must Be Installed With Letter Up

Unit=Millimeters

