

LSV2-10-2 NOS

2-Way,2-Position,Normally open,
Spool-type Solenoid Valve

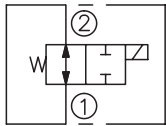
DESCRIPTION

A solenoid operated, 2-way, 2-position, normally open, spool-type cartridge valve.

OPERATION

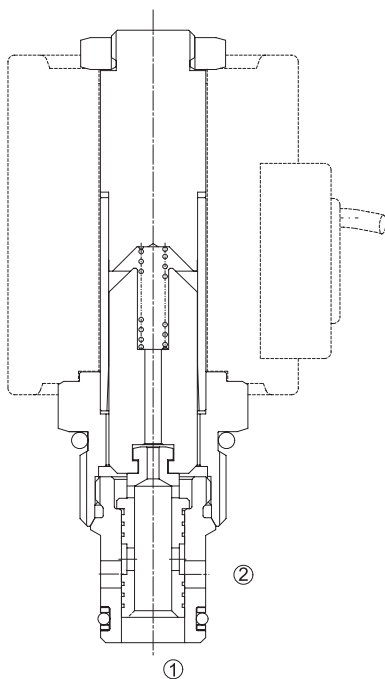
When de-energized, the valve allows flow in both directions. When energized, the cartridge's spool shifts to block flow in both directions.

SYMBOL

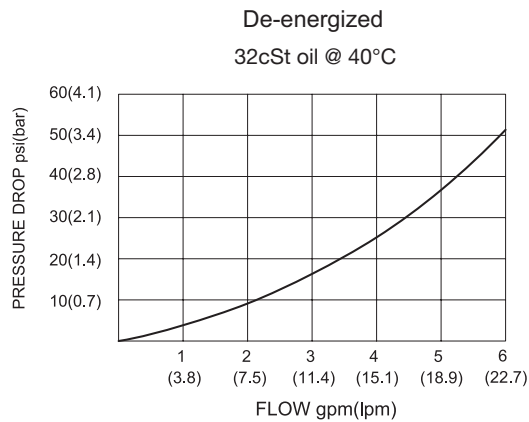


SPECIFICATIONS

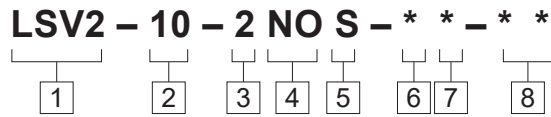
Operating Pressure	207bar
Flow	Inlet at port②:up to 22.7lpm; Inlet at port①:18.9lpm;
Internal Leakage	82 cc/min max. at 207bar
Temperature	-40°F to +212°F(-40°C to +100°C)
Coil Duty Rating	Continuous from 85% to 115% of nominal voltage
Filtration	See page N-1
Fluids	Mineral-based fluids with viscosities of 7.4 to 420 cSt.
Cavity	10-2,See page M-2
Housing Material	6061-T6 aluminum alloy rated to 207bar, Steel & Ductile iron rated to 350bar



PRESSURE DROP VS.FLOW



TO ORDER



- 1 Function**
LSV2=Solenoid Valve

- 2 Size**
10=10 Size

- 3 Flow Path**
2=2-Way

- 4 Style**
NO=Normally Open

- 5 Type**
S=Spool

- 6 Coil Voltage**
1=12 VDC
2=24 VDC
3=110 VAC
4=220 VAC
5=10 VDC

- 7 Coil Connector Type**
D= Double Lead
H= Hirschmann
C= Conduit
ER= Deutsch Connector(Water-proof Coil)
B= Double Spade

- 8 Port Size**
Omit=None
6T=SAE 6
8T=SAE 8
3G=G 3/8
4G=G 1/2

- ※ See page K-4 for detail of housing
- ※ Other port sizes are available

INSTALLATION DIMENSIONS

Coil Must Be Installed With Letter Up

Unit=Millimeters

