

# LSV6-12-2 NOSP

2-Way,2-Position,Bi-directional  
 Normally open,Poppet-type  
 Solenoid Valve

## DESCRIPTION

A solenoid operated, 2-way, 2-position, normally open, poppet-type bi-directional cartridge valve.

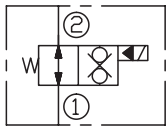
## OPERATION

When de-energized, the poppet allows flow in both directions. When energized, the valve blocks flow in both directions.

## Operation of Manual Override Option

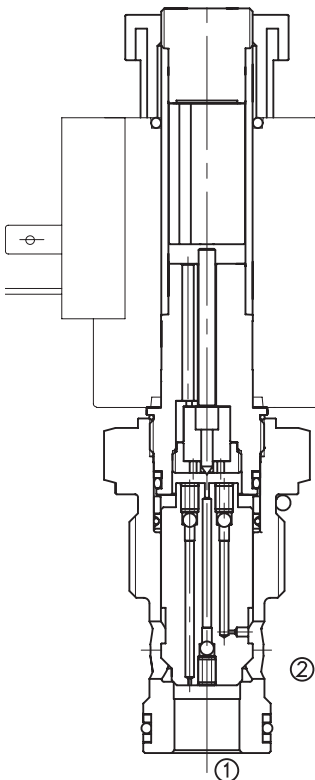
To override, push button in to activate. To return to normal valve function, release button.

## SYMBOL

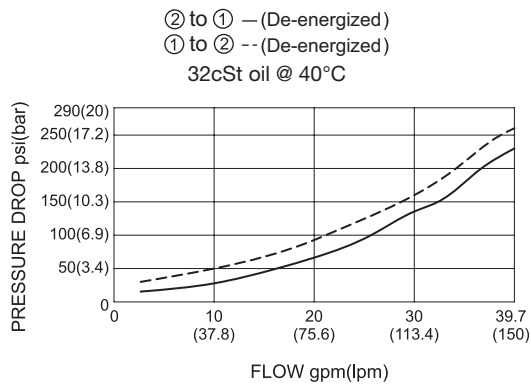


## SPECIFICATIONS

Max.Operating Pressure	350bar
Flow	See PRESSURE DROP VS.FLOW graph.
Internal Leakage	5drops/min max. at 350 bar
Temperature	-40°F to +212°F(-40°C to +100°C)
Coil Duty Rating	Continuous from 85% to 115% of nominal voltage
Filtration	See page N-1
Fluids	Mineral-based fluids with viscosities of 7.4 to 420 cSt.
Cavity	12-2,See page M-3
Housing Material	Steel & Ductile iron rated to 350bar

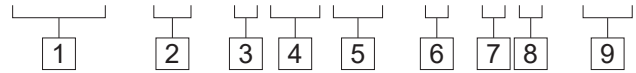


## PRESSURE DROP VS.FLOW



**TO ORDER**

**LSV6 – 12 – 2 NO SP – \* – \* \* – \* \***



- 1 Function**  
LSV6=Solenoid Valve

---

- 2 Size**  
12=12 Size

---

- 3 Flow Path**  
2=2-Way

---

- 4 Style**  
NO=Normally Open

---

- 5 Type**  
SP=Poppet

---

- 6 Manual Override Options**  
Omit=None  
M=Manual Override

- 7 Coil Voltage**  
1=12 VDC  
2=24 VDC  
3=110 VAC  
4=220 VAC  
7=48 VDC  
8=24 VAC  
9=72 VDC

---

- 8 Coil Connector Type**  
D= Double Lead  
H= Hirschmann  
S= Single Lead  
ER= Deutsch Connector(Water-proof Coil)  
B= Double Spade

- 9 Port Size**  
Omit=None  
16T=SAE 16  
8G=G 1

---

- ※ See page K-8 for detail of housing
- ※ Other port sizes are available

**INSTALLATION DIMENSIONS**

Coil Must Be Installed With Letter Up

Unit=Millimeters

