

# LHP5-10

Hand Pump

## DESCRIPTION

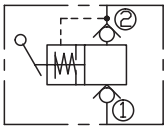
The hand pump will provide a specific displacement of oil to pilot ① .

## OPERATION

When the operator is pushed, the valve delivers a nominal flow of 1.36 cc to the ① port.

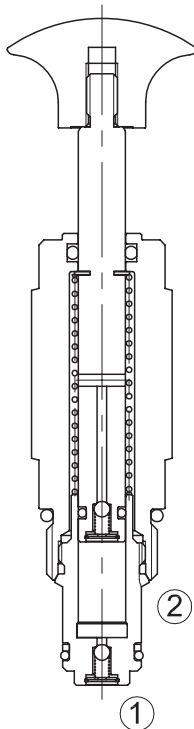
When the operator is pulled, the valve suctions fluid from the ② port.

## SYMBOL



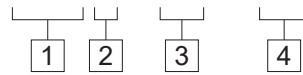
## SPECIFICATIONS

Max.Operating Pressure	Port①to 207 bar Port②to 69 bar
Displacement	1.36cc per stroke
Force Required	134N to attain 17 bar
Internal Leakage	From port①to②:3 drops/min max. at 207 bar
Temperature	-40°F to +250°F(-40°C to +120°C)
Filtration	See page N-1
Fluids	Mineral-based fluids with viscosities of 7.4 to 420 cSt.
Cavity	10-2,See page M-2
Housing Material	6061-T6 aluminum alloy rated to 207bar, Steel & Ductile iron rated to 350bar



**TO ORDER**

**LHP 5 - 10 - \* \***



**1 Function**  
LHP=Hand Pump

**3 Size**  
10=10-2 Size

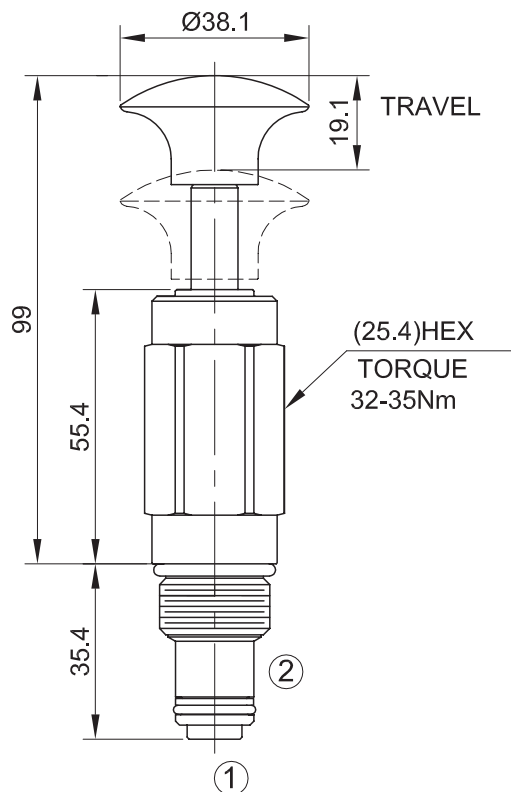
**10 Port Size**  
Omit=None  
6T=SAE 6  
8T=SAE 8  
3G=G 3/8  
4G=G 1/2

**2 Displacement**  
5=1.36cc per stroke

※ See page K-4 for detail of housing  
※ Other port sizes are available

**INSTALLATION DIMENSIONS**

Unit=Millimeters



J