

# LS-08

Needle Valve

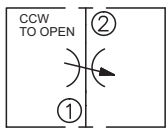
## DESCRIPTION

A cartridge-style manually-adjustable needle valve

## OPERATION

The valve varies flow restriction by adjusting needle in or out and will shut off when fully closed. These valves will meter flow in either direction.

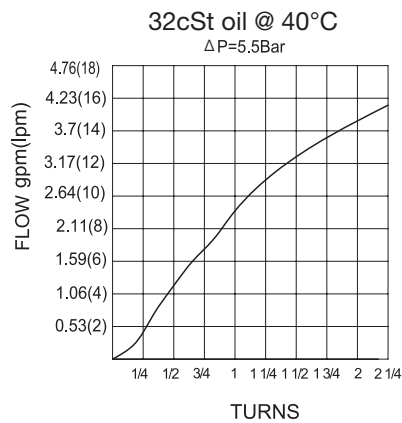
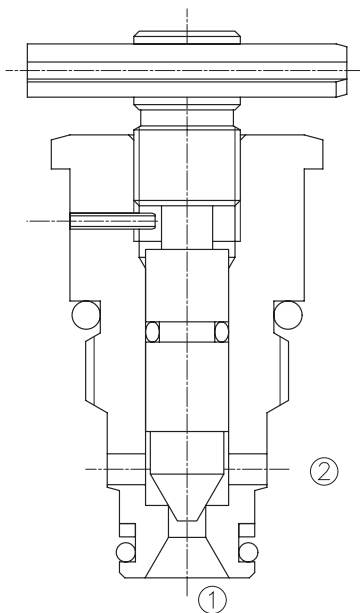
## SYMBOL



## SPECIFICATIONS

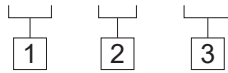
Operating Pressure	250bar
Flow	See FLOW CHARACTERISTICS chart
Internal Leakage	zero drops/min. at 207 bar at shut-off
Temperature	-40°F to +250°F(-40°C to +120°C)
Filtration	See page N-1
Fluids	Mineral-based fluids with viscosities of 7.4 to 420 cSt.
Cavity	08-2, See page M-1
Housing Material	6061-T6 aluminum alloy rated to 207bar, Steel & Ductile iron rated to 350bar

## PRESSURE DROP VS.FLOW



**TO ORDER**

**LS - 08 - \* \***



**1 Function**

LS=Manually-adjustable Needle Valve

**2 Size**

08=08 Size

**3 Port Size**

Omit=None  
 4T=SAE4  
 6T=SAE6  
 2G=G 1/4  
 3G=G 3/8

※ See page K-1 for detail of housing  
 ※ Other port sizes are available

F

**INSTALLATION DIMENSIONS**

Unit=Millimeters

