

MHDRDB04K

Direct-acting Pressure
Reducing/Relieving Valve



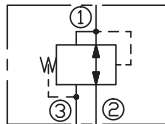
DESCRIPTION

A cartridge-style direct-acting spool-type pressure reducing/relieving valve

OPERATION

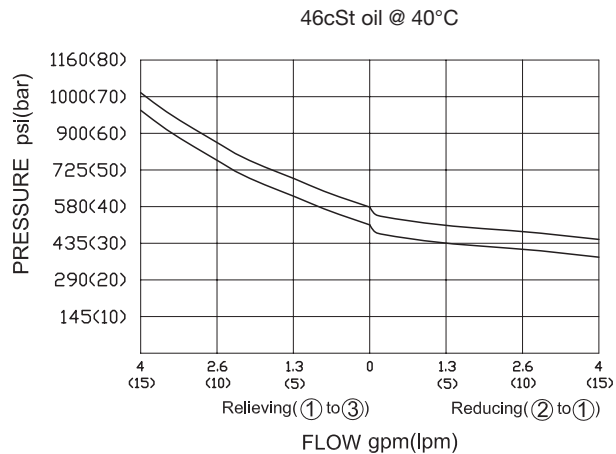
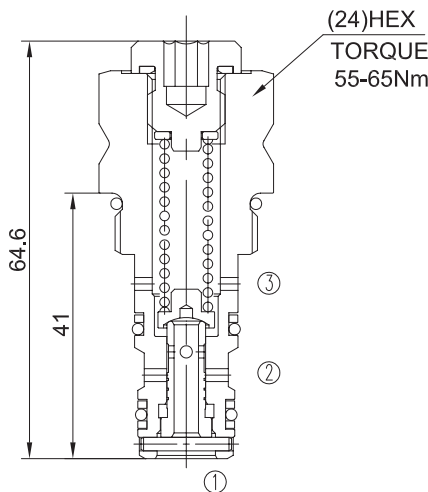
In its steady state, the valve allows flow to pass bi-directionally from ② to ①, with the spring chamber constantly drained at ③. On attainment of a pre-determined pressure at ①, the cartridge shifts to restrict input flow at ②, thereby regulating pressure at ①. In this mode, the valve will also relieve ① to ③ at approximately 10 bar over the reducing setting.

SYMBOL



SPECIFICATIONS

Max. Operating Pressure	420bar
Flow	See PRESSURE DROP VS. FLOW graph.
Internal Leakage ② to ③	50cc/min Max. at 300bar
Pressure rating	035=35bar 040=40bar
Temperature	-40°F to +250°F (-40°C to +120°C)
Filtration	See page N-1
Fluids	Mineral-based fluids with viscosities of 7.4 to 420 cSt.
Cavity	Rexroth-R/LA, See page M-14
Housing Material	Steel & Ductile iron rated to 350bar



TO ORDER

MHDRDB 04K - * * *

1 2 3

1 Function
MHDRDB= Direct-acting Pressure Reducing/Relieving Valve

2 Size
04=04 Size

3 Optional Pressure Setting
035=500psi(35bar)
040=580psi(40bar)