

# LZFC-08



Flow Control Valve With Reverse  
Flow Check

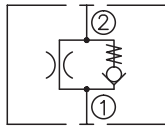
## DESCRIPITON

A cartridge-style non-adjustable  
flow control orifice check valve

## OPERATION

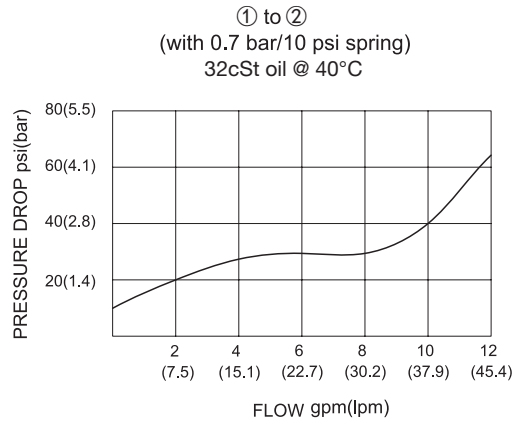
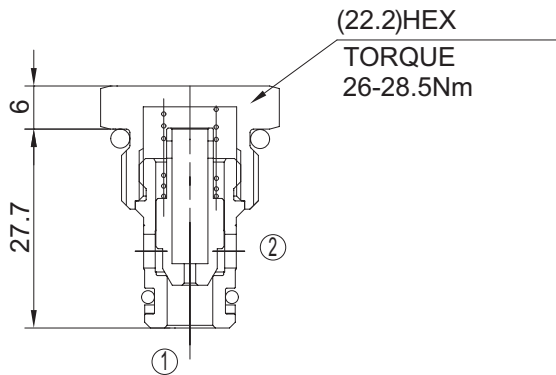
Flow is metered from ② to ① . Free reverse flow is from ① to ② .

## SYMBOL



## SPECIFICATIONS

Operating Pressure	250bar
Flow	See PRESSURE DROP VS.FLOW graph.
Temperature	-40°F to +250°F(-40°C to +120°C)
Filtration	See page N-1
Fluids	Mineral-based fluids with viscosities of 7.4 to 420 cSt.
Cavity	08-2, See page M-1
Housing Material	6061-T6 aluminum alloy rated to 207bar, Steel & Ductile iron rated to 350bar



## TO ORDER

**LZFC - 08 - \* \* \* - \* \* - \* \***

1      2      3      4      5

<b>1 Function</b> LZFC=Flow Control Orifice Check Valve	<b>3 Orifices Size</b> 006=0.6    008=0.8 009=0.9    010=1.0 012=1.2    013=1.3 014=1.4    016=1.6 024=2.4	<b>5 Port Size</b> Omit=None 4T=SAE4 6T=SAE6 2G=G 1/4 3G=G 3/8
<b>2 Size</b> 08=08 Size	<b>4 Cracking Pressure</b> 0.5=0.5bar 0.7=0.7bar 1.0=1.0bar 3.0=3.0bar	※ See page K-1 for detail of housing ※ Other port sizes are available