

LACR75.M20

Direct-acting Anti-cavitation Relief Valve

DESCRIPTION

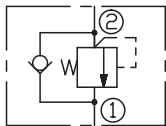
A cartridge-style direct-acting poppet-type anti-cavitation relief valve

OPERATION

Flow is free from ① to ② until pressure increases to meet the selected valve setting, allowing relief flow through port ① to tank. This valve combines the typical function of shock relief valve (direct acting) and anti-cavitation function through the check valve. The direct action and the specific design allow a very fast opening and closing.

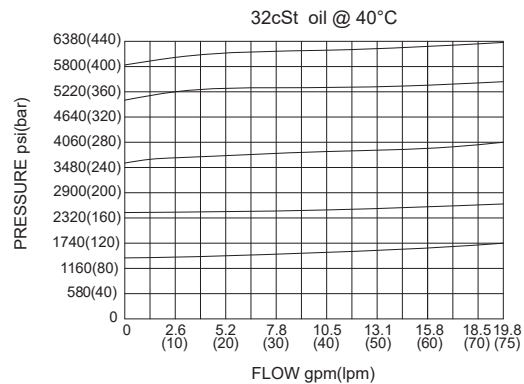
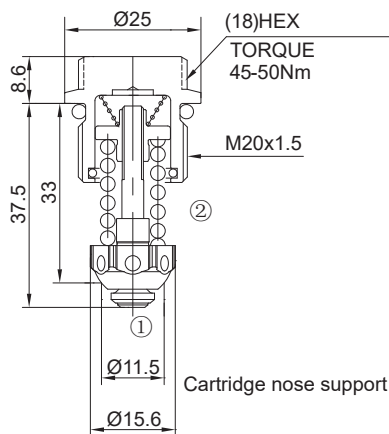
Note: to obtain a good leak proof performance coin the cavity seat using a loose valve seat as a coning tool. Torque to be applied : 4.5 ± 2 Nm.

SYMBOL



SPECIFICATIONS

Max.Operating Pressure	420bar
Max. Flow	75l/min
Internal Leakage	15 drops/min max. to 80% of nominal setting
Standard Spring Ranges	20 to 100 bar; 101 to 170 bar; 171 to 250 bar; 251 to 350 bar; 351 to 420 bar;
Temperature	-40°F to +250°F(-40°C to +120°C)
Filtration	See Page N-1
Fluids	Mineral-based fluids with viscosities of 7.4 to 420 cSt.
Cavity	VH003,See page M-28
Housing Material	Steel & Ductile iron rated to 350bar



TO ORDER

LACR75 . M20 - ** / ***

1

2

3

4

1 Function
LACR75=Anti-Cavitation Relief Valve

2 Size
M20=M20 Size

3 Spring Ranges
10=290-1450psi(20-100bar)
17=1465-2465psi(101-170bar)
25=2480-3625psi(171-250bar)
35=3640-5075psi(251-350bar)
42=5090-6090psi(351-420bar)
Factory pressure setting established at 10L/min;

4 Optional Pressure Seeting
Omit=Standard Setting
Example:060=60Bar