

ILCV2000-G14

In-line Check Valve

DESCRIPTION

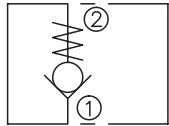
An in-line, poppet-type check valve

OPERATION

When pressure at ① rises above the spring bias pressure, the poppet is lifted and flow allowed from ① to ②.

The valve is closed (checked) from ② to ①.

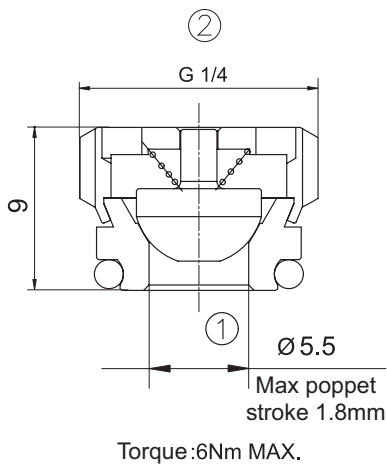
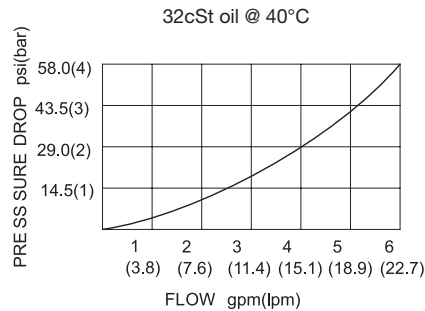
SYMBOL



SPECIFICATIONS

Max. Operating Pressure	350bar
Flow	See PRESSURE DROP VS.FLOW graph.
Internal Leakage	2 drops/min max. at 350bar
Cracking Pressure	<0.5bar
Temperature	-40°F to +250°F (-40°C to +120°C)
Fluids	Mineral-based fluids with viscosities of 7.4 to 420 cSt.
Housing Material	Steel & Ductile iron rated to 350bar

PRESSURE DROP VS.FLOW



ILCV2000-G14 TOOL

