

# ILCV3000-G14

In-line Check Valve

## DESCRIPTION

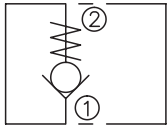
An in-line, ball-type check valve.

## OPERATION

When pressure at ① rises above the spring bias pressure, the ball is lifted and flow allowed from ① to ② .

The valve is closed (checked) from ② to ① .

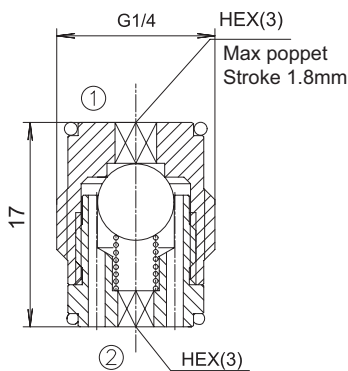
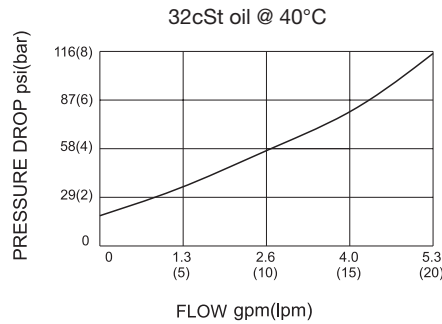
## SYMBOL



## SPECIFICATIONS

Max.Operating Pressure	350bar
Flow	See PRESSURE DROP VS.FLOW graph.
Internal Leakage	2 drops/min max. at 350bar
Cracking Pressure	2.1bar
Temperature	-40°F to +250°F(-40°C to +120°C)
Fluids	Mineral-based fluids with viscosities of 7.4 to 420 cSt.
Housing Material	Steel & Ductile iron rated to 350bar

## PRESSURE DROP VS.FLOW



Torque: 6Nm

If the valve is used as reverse check, the user needs to change the position of o-ring

