

LPOSRV-10M

Pilot-operated Poppet-type Anti-cavitation Relief Valve

DESCRIPTION

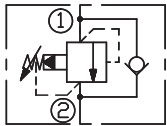
A cartridge-style pilot-operated poppet-type anti-cavitation relief valve

OPERATION

The valve prevents flow from ① to ② until pressure at ① exceeds the set Cracking Pressure and opens the pilot section. The pilot flow creates a pressure differential across the poppet which causes the valve to open allowing flow from ① to ② protecting the circuit from over pressurization.

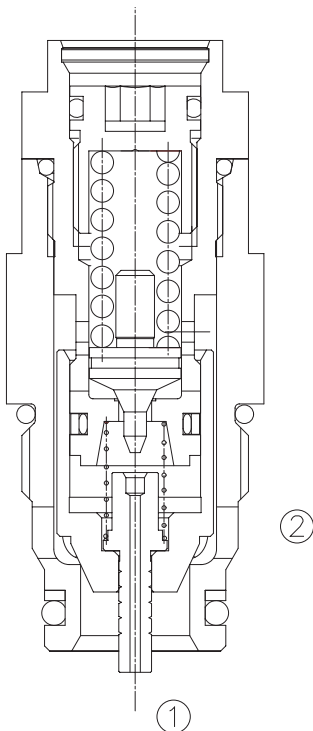
Pressure at ② overcomes the spring-bias pressure 0.8bar and allows free flow from ② to ①, then in its steady state, pressure maintains at 0.7 bar.

SYMBOL



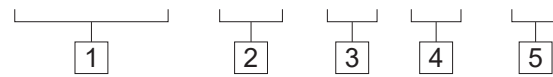
SPECIFICATIONS

Max.Operating Pressure	350bar
Flow	100L/min.
Internal Leakage	10 drops/min max. to 80% of nominal setting
Reseat Pressure	85% of cracking pressure(cracking pressure at 0.95 lpm /0.25 gpm)
Temperature	-40°F to +250°F(-40°C to +120°C)
Filtration	See page N-1
Fluids	Mineral-based fluids with viscosities of 7.4 to 420 cSt.
Cavity	10M-2, See page M-20
Housing Material	Steel & Ductile iron rated to 350bar



TO ORDER

LPOSRV – 10M – * * / * * – * *



1 Function
LPOSRV=Adjustable Pilot-operated
Cartridge Relief Valve

3 Spring Ranges
50=725-5000psi(50-350bar)
Preset:3000psi(210bar)

5 Port Size
Omit=None
8T=SAE 8
10T=SAE 10

2 Size
10M=10M Size

4 Optional Pressure Setting
Omit=Standard Setting
Example:0250=250bar

※Other port sizes are available

INSTALLATION DIMENSIONS

Unit=Millimeters

