

LPRPS-10

Pilot-operated Pressure Reducing Valve

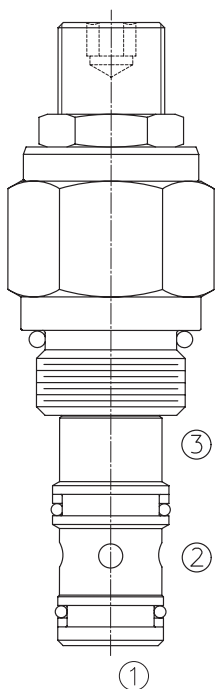
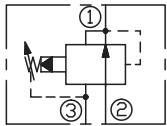
DESCRIPTION

A cartridge-style pilot-operated pressure reducing valve

OPERATION

In its steady state, the valve allows flow to pass from ② to ①, with the spring chamber constantly drained at ③. On attachment of a pre-determined pressure at ①, the cartridge shifts to restrict input flow at ②, thereby regulating pressure at ①.

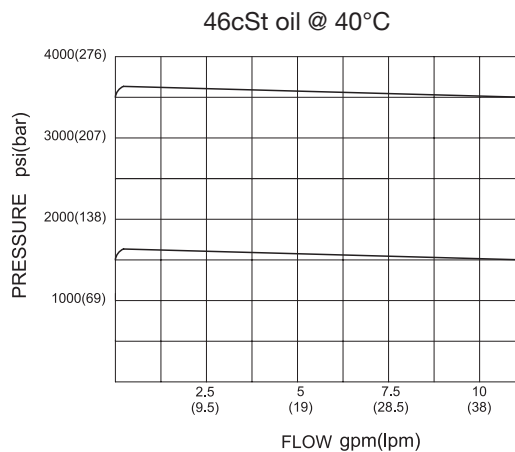
SYMBOL



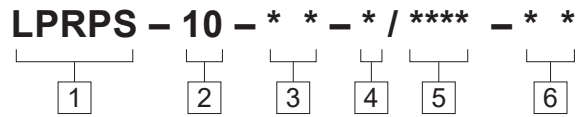
SPECIFICATIONS

Operating Pressure	350bar
Flow	See performance chart
Internal Leakage	from ② to ③ 82 cc/min max. at 85% of crack
Standard Spring Ranges	3.45-103 bar, preset: 52bar 3.45-207 bar, preset: 103bar 3.45-350 bar, preset: 175bar
Temperature	-40°F to +250°F (-40°C to +120°C)
Filtration	See page N-1
Fluids	Mineral-based fluids with viscosities of 7.4 to 420 cSt.
Cavity	10-3, See page M-2
Housing Material	Steel & Ductile iron rated to 350bar

PRESSURE DROP VS.FLOW



TO ORDER



1 Function
LPRPS=Pilot-operated Pressure Reducing Valve

2 Size
10=10 Size

3 Spring Ranges
15=50-1500psi(3.45-103bar)
Preset:750psi(52bar)
30=50-3000psi(3.45-207bar)
Preset:1490psi(103bar)
50=50-5000psi(3.45-350bar)
Preset:2500psi(175bar)

4 Adjustment
K= 1-1/2" Dia Knob
Omit= 5/16" Hex Allen Head

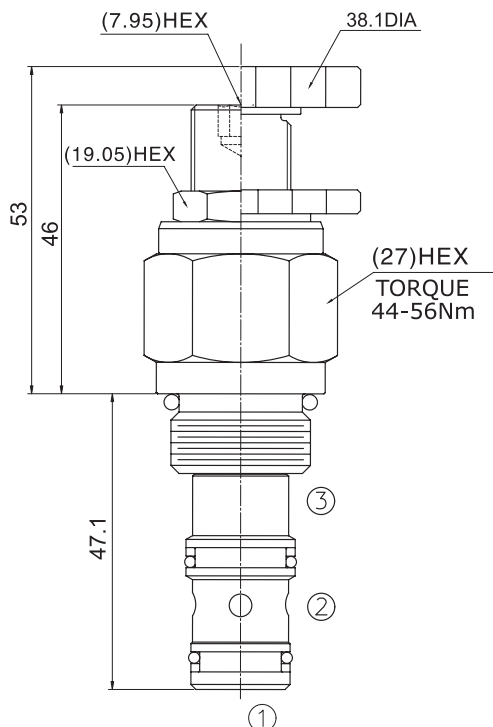
5 Optional Pressure setting
Omit=Standard Setting
Example:0100=100bar

6 Port Size
Omit=None
6T=SAE6
8T=SAE8
2G=G 1/4
3G=G 3/8

※ See page K-5 for detail of housing
※ Other port sizes are available

INSTALLATION DIMENSIONS

Unit=Millimeters



E