

# LCV-04-B

Check Valve



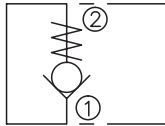
## DESCRIPTION

A cartridge-style, ball-type check valve.

## OPERATION

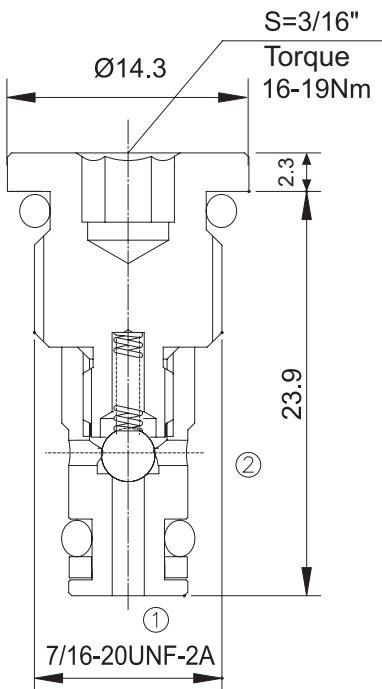
Pressure at ① overcomes the spring-bias ball and allows free flow from ① to ② .  
Flow in the opposite direction, from ② to ① ,is blocked by the ball.

## SYMBOL



## SPECIFICATIONS

Operating Pressure	250bar
Flow	See PRESSURE DROP VS.FLOW graph.
Internal Leakage	2 drops/min max. at 250bar
Cracking Pressure	0.3=0.3bar
Temperature	-40°F to +250°F(-40°C to +120°C)
Fluids	Mineral-based fluids with viscosities of 7.4 to 420 cSt.
Cavity	04-2, See page M-24
Housing Material	Steel & Ductile iron rated to 350bar



## PRESSURE DROP VS.FLOW

