

# LCV-06-B

Check Valve

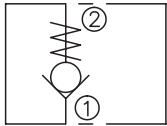
## DESCRIPTION

A cartridge-style ball-type check valve

## OPERATION

Pressure at ① overcomes the spring-bias ball and allows free flow from ① to ② .  
Flow in the opposite direction, from ② to ① ,is blocked by the ball.

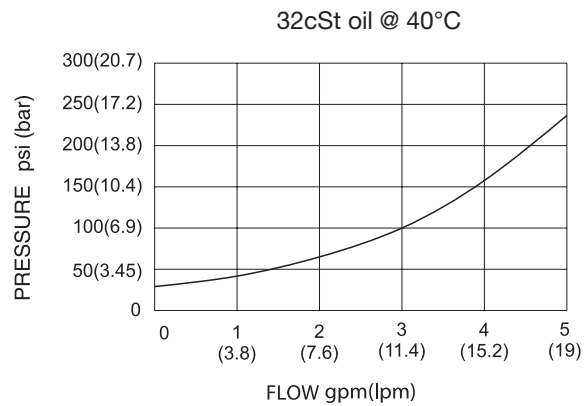
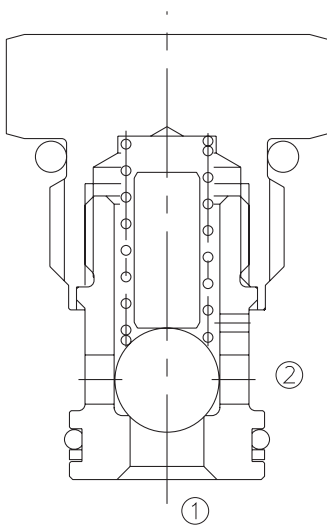
## SYMBOL



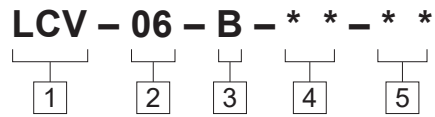
## SPECIFICATIONS

Operating Pressure	350bar
Flow	See PRESSURE DROP VS.FLOW graph.
Internal Leakage	2 drops/min max. at 350bar
Cracking Pressure	0.35=0.35bar 2.1=2.1bar
Temperature	-40°F to +250°F(-40°C to +120°C)
Filtration	See page N-1
Fluids	Mineral-based fluids with viscosities of 7.4 to 420 cSt.
Cavity	HYDAC FC06-2,See page M-23
Housing Material	Steel & Ductile iron rated to 350bar

## PRESSURE DROP VS.FLOW



Series 08 2-WAY Housings  
**TO ORDER**



**1 Function**  
 LCV=Check Valve

**2 Size**  
 06=06 Size

**3 Type**  
 B=Ball

**4 Cracking Pressure**  
 0.35=0.35bar  
 2.1=2.1bar

**5 Port Size**  
 Omit=None  
 4T=SAE4  
 6T=SAE6  
 2G=G 1/4  
 3G=G 3/8

**D**

※Other port sizes are available

**INSTALLATION DIMENSIONS**

Unit=Millimeters

