

LCV-10-P

Check Valve

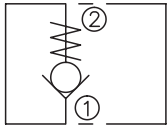
DESCRIPTION

A cartridge-style poppet-type check valve

OPERATION

Pressure at ① overcomes the spring-bias poppet and allows free flow from ① to ② . Flow in the opposite direction, from ② to ① ,is blocked by the poppet.

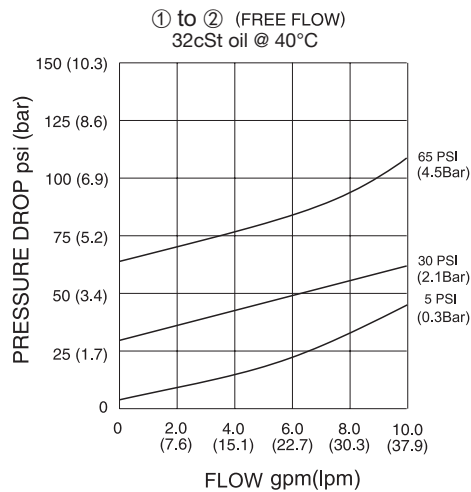
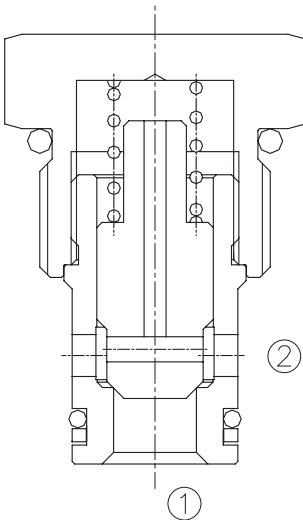
SYMBOL



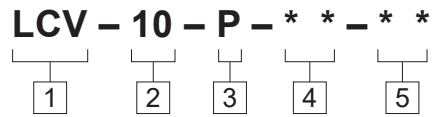
SPECIFICATIONS

Operating Pressure	350bar
Flow	See PRESSURE DROP VS.FLOW graph.
Internal Leakage	2 drops/min max. at 350bar
Cracking Pressure	0.3=0.3bar 0.7=0.7bar 2.1=2.1bar 4.5=4.5bar 6.9=6.9bar
Temperature	-40°F to +250°F(-40°C to +120°C)
Filtration	See page N-1
Fluids	Mineral-based fluids with viscosities of 7.4 to 420 cSt.
Cavity	10-2,See page M-2
Housing Material	Steel & Ductile iron rated to 350bar

PRESSURE DROP VS.FLOW



TO ORDER



1 Function
LCV=Check Valve

2 Size
10=10 Size

3 Type
P=Poppet

4 Cracking Pressure
0.3=0.3bar
0.7=0.7bar
2.1=2.1bar
4.5=4.5bar
6.9=6.9bar

5 Port Size
Omit=None
6T=SAE6
8T=SAE8
3G=G 3/8
4G=G 1/2

※ See page K-4 for detail of housing
※ Other port sizes are available

D

INSTALLATION DIMENSIONS

Unit=Millimeters

