

# LFC-08

Flow Control With Reverse  
Flow Check

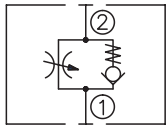
## DESCRIPTION

A cartridge-style adjustable flow control valve with reverse flow check

## OPERATION

The valve varies flow restriction by adjusting needle in or out. Flow is metered from ② to ①. Free reverse flow is from ① to ②.

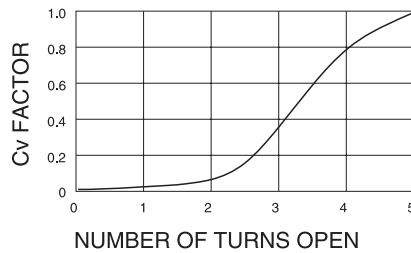
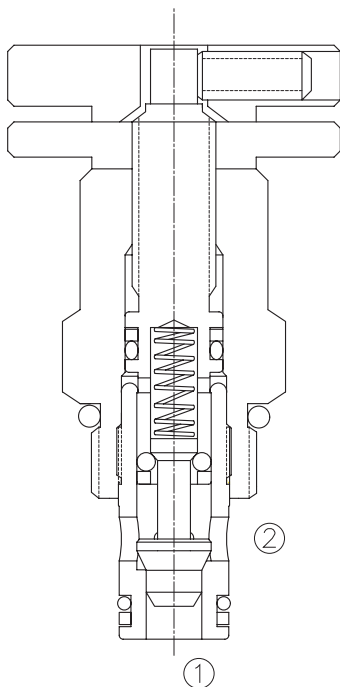
## SYMBOL



## SPECIFICATIONS

Max. Operating Pressure	250bar
Flow	See PRESSURE DROP VS.FLOW graph.
Internal Leakage	3 drops/min max. at shut-off
Temperature	-40°F to +250°F (-40°C to +120°C)
Filtration	See page N-1
Fluids	Mineral-based fluids with viscosities of 7.4 to 420 cSt.
Cavity	08-2, See page M-1
Housing Material	6061-T6 aluminum alloy rated to 207bar, Steel & Ductile iron rated to 350bar

## PRESSURE DROP VS.FLOW

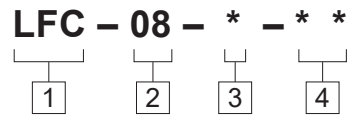


$$\text{FLOW IN GPM} = \frac{C_v \sqrt{P_1 - P_2}}{\sqrt{G_f}}$$

Cv = Flow Coefficient  
P1 = Inlet Pressure (psi)  
P2 = Outlet Pressure (psi)

Gf = specific gravity of medium at operating temperature in F.°

**TO ORDER**



**1 Function**  
LFC=Adjustable Cartridge  
Flow Control Valve

**3 Adjustment**  
K=1-1/2" Dia Knob  
Omit=4mm Hex Allen Head

**4 Port Size**  
Omit=None  
4T=SAE4  
6T=SAE6  
2G=G 1/4  
3G=G 3/8

**2 Size**  
08=08 Size

※ See page K-1 for detail of housing  
※ Other port sizes are available

F

**INSTALLATION DIMENSIONS**

Unit=Millimeters

