

Mobile Hydraulics

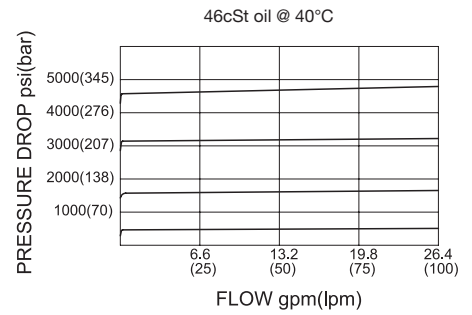
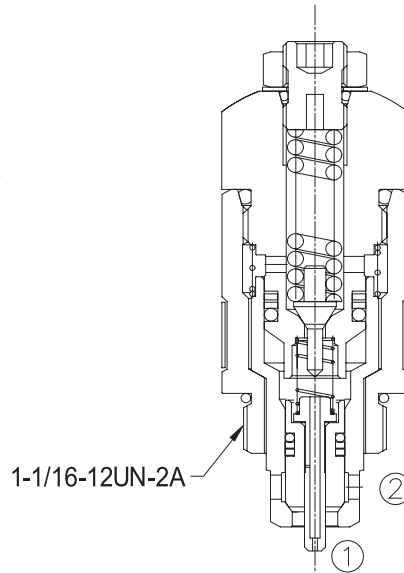
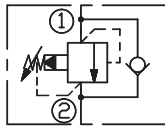
LPOSRV2-12S



DESCRIPTION

An adjustable, pilot-operated spool-damping style circuit relief anti-cavitation valve.

SYMBOL



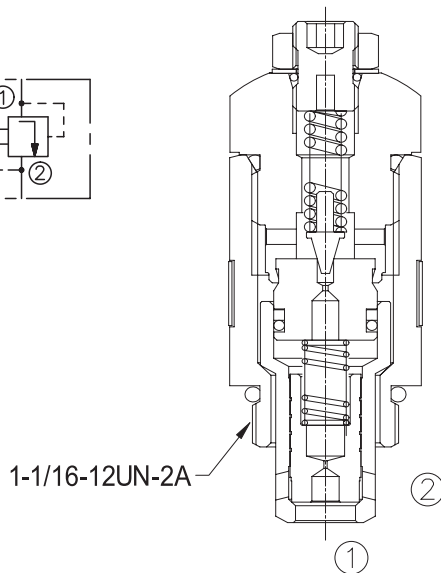
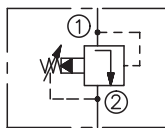
Flow:	120L/min
Max. Pressure:	35Mpa
31.8mm HEX Torque:	69-78Nm
Cavity	12S-2, Consult Factory

LPOPRV-12S

DESCRIPTION

A pilot-operated pressure relief valve.

SYMBOL



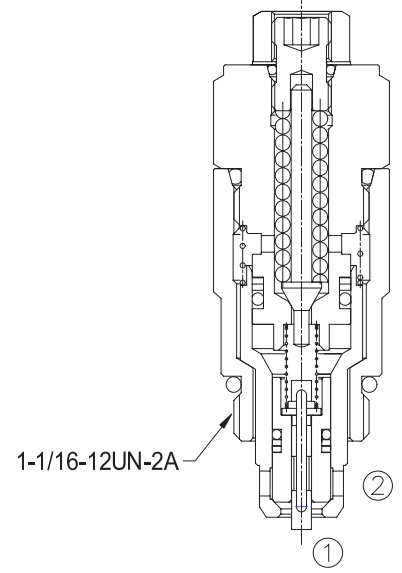
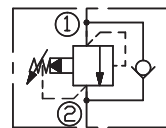
Flow:	120L/min
Max. Pressure:	35Mpa
31.8mm HEX Torque:	69-78Nm
Cavity	Consult Factory

LPOSRV-12S

DESCRIPTION

An adjustable, pilot-operated spool-damping style circuit relief anti-cavitation valve.

SYMBOL



Flow:	120L/min
Max. Pressure:	42.5Mpa
31.8mm HEX Torque:	69-78Nm
Cavity	Consult Factory