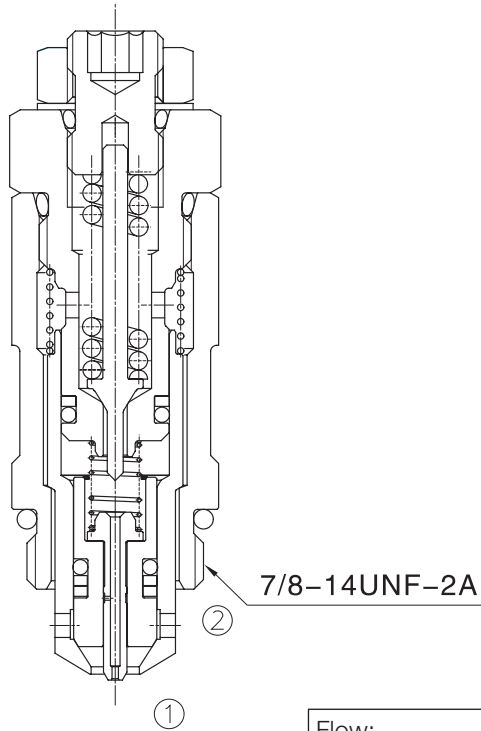


Mobile Hydraulics

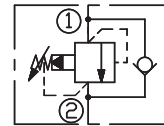
LPOSRV-10S

DESCRIPTION

An adjustable, pilot-operated spool-damping style circuit relief anti-cavitation valve.



SYMBOL

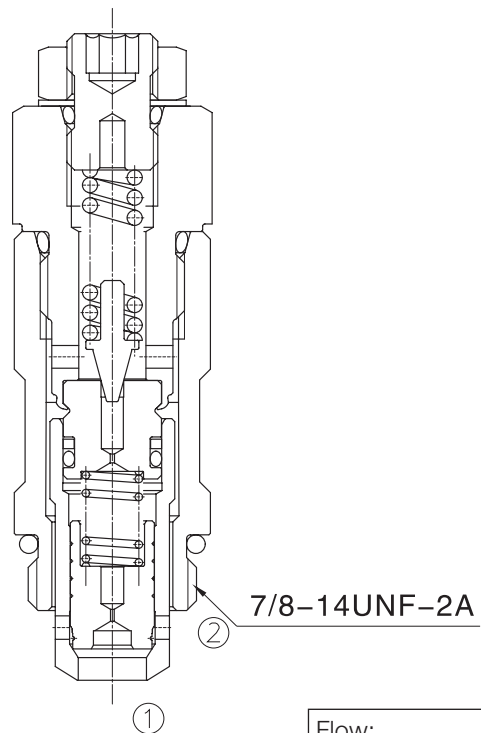


Flow:	40L/min
Max. Pressure:	35Mpa
24mm HEX Torque:	47-54Nm
Cavity:	10S1-2, see page(M-19)

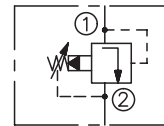
LPOPRV-10S

DESCRIPTION

A pilot-operated pressure relief valve.



SYMBOL



Flow:	70L/min
Max. Pressure:	35Mpa
24mm HEX Torque:	47-54Nm
Cavity:	10S2-2, see page(M-19)